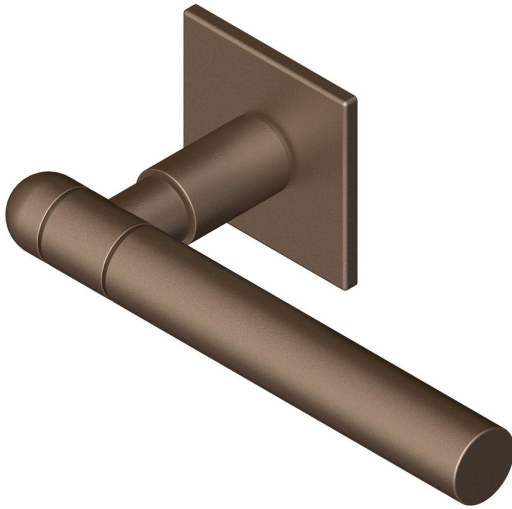
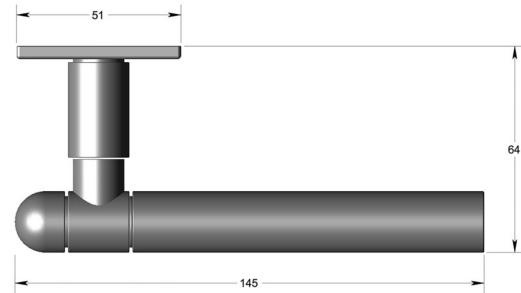


19mm Section lever handle on square rose -  
Round end



Product image



Dimensions drawing (DIM)

**Reference**

FL109 RE SR4 SPVDBZ

**Finish**

Incasa satin PVD bronze

**Material**

Stainless steel 316

**Shape**

SR4

**Description**

Solid lever handle  
Concealed fixing  
High performance bearing rose  
Back to back fixing  
Conforms to EN1906 high usage  
Suitable for use on fire doors