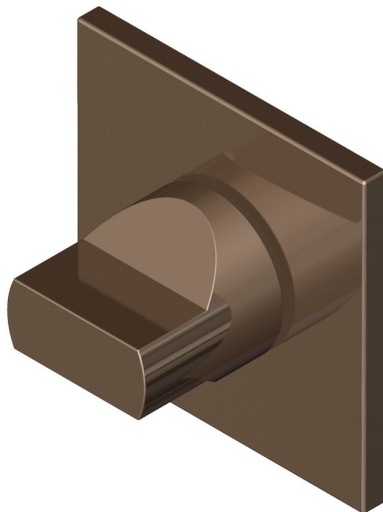
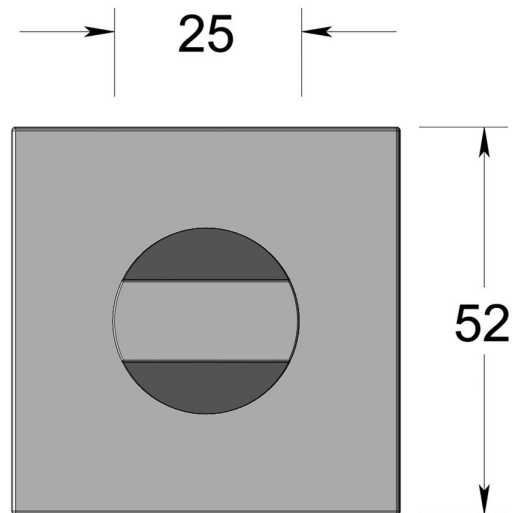


Cut turn on square rose



Product image



Dimensions drawing (DIM)

Reference

FTT003 SR4 PPVDBZ

Finish

Incasa polished PVD bronze

Material

Stainless steel 316

Shape

SR4

Description

Concealed fixing rose
Solid thumb turn