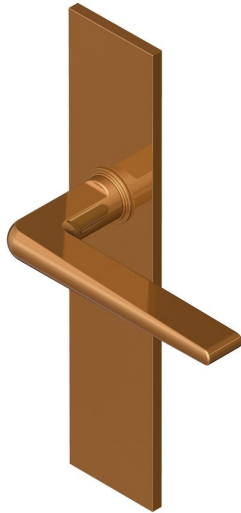
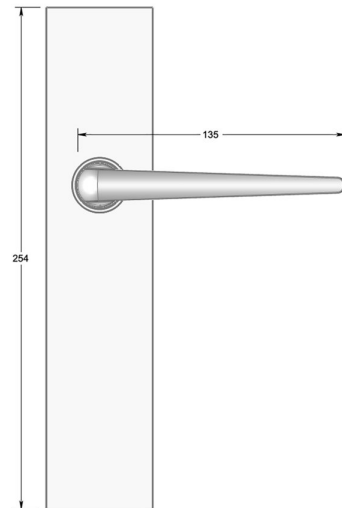


Traditional Wedge lever on long backplate



Product image



Dimensions drawing (DIM)

Reference

FL210 TB01 PCU

Material

Brass

Finish

Trad polished copper

Shape

TB01

Description

- Solid cast handle
- Concealed fixing
- High performance bearing
- Supplied with fixings for timber
- Available with various backplates and roses