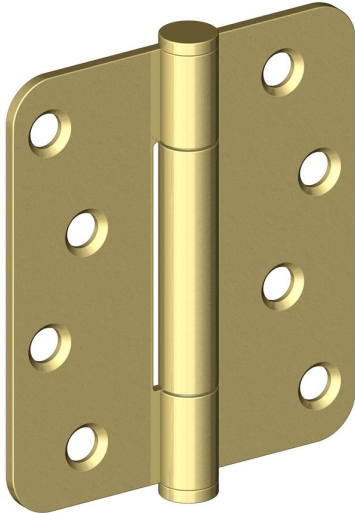
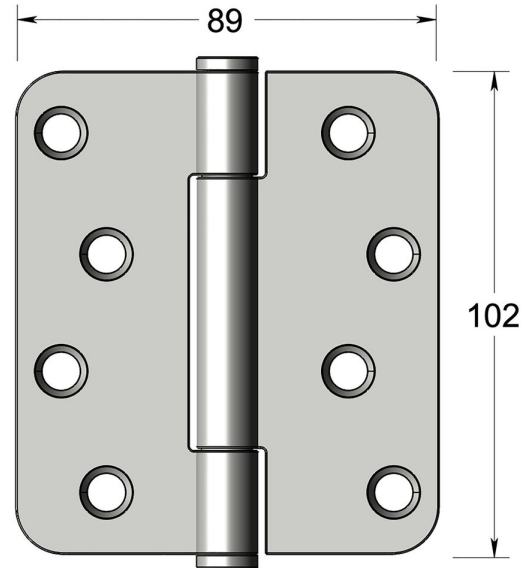


High performance concealed bearing butt hinge



Product image



Dimensions drawing (DIM)

Reference

FH001 R 89 PB

Finish

Incasa polished PVD brass

Corners

Radius

Description

Suitable for doors up to 160kgs
 High performance low friction / low wear concealed bearing
 Tested to EN1935 grade 14
 Independently tested to 1,000,000 cycles
 For use on timber fire doors up to FD120
 Certifire approved
 UKCAmarked

Material

Stainless steel 316

Size

102x89mm