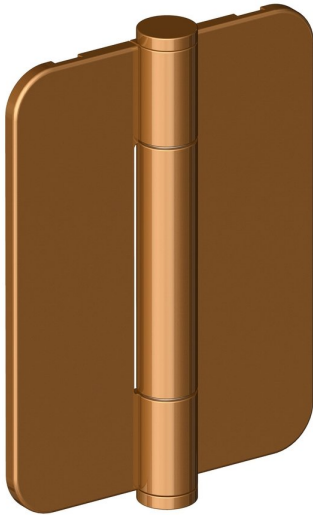
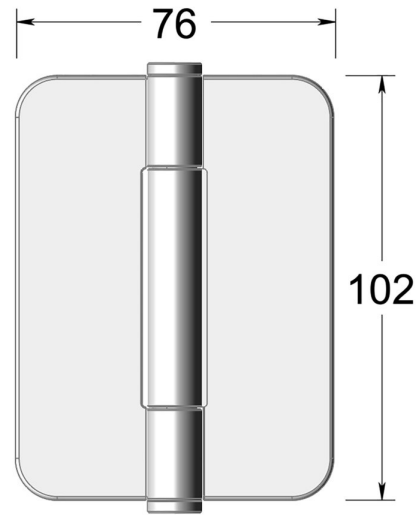


High performance concealed bearing COVER-PLATE hinge



Product image



Dimensions drawing (DIM)

Reference

FH011 R 76 PCU

Finish

Trad polished copper

Corners

Radius

Material

Stainless steel 316

Size

102x76mm

Description

Suitable for doors up to 160kgs
High performance low friction / low wear concealed bearing
Tested to EN1935 grade 14
For use on timber fire doors up to FD120
Certifire approved
UKCA marked