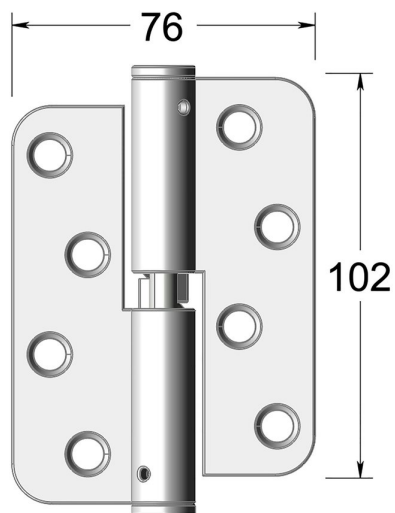


## Concealed bearing rising butt hinge right hand



Product image



Dimensions drawing (DIM)

**Reference**

FH051 S DBZ

**Finish**

Incasa dark bronze

**Corners**

Square

**Description**

Suitable for doors up to 80kgs  
 High performance low friction / low wear concealed bearing  
 Tested to EN1935 grade 11  
 Available with 8 & 12mm rise over 180 degrees

**Material**

Stainless steel 316

**Size**

102x76mm