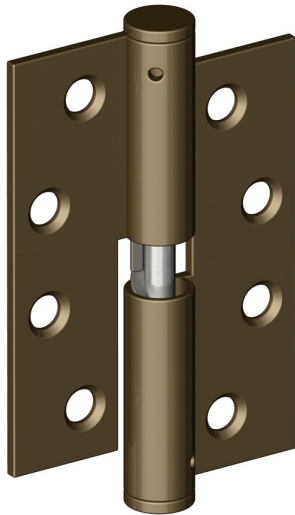
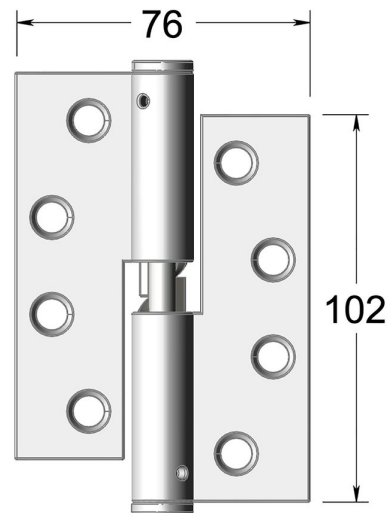


Concealed bearing rising butt hinge left hand



Product image



Dimensions drawing (DIM)

Reference

FH052 S MBZ

Finish

Incasa medium bronze

Corners

Square

Description

Suitable for doors up to 80kgs
 High performance low friction / low wear concealed bearing
 Tested to EN1935 grade 11
 Available with 8 & 12mm rise over 180 degrees

Material

Stainless steel 316

Size

102x76mm