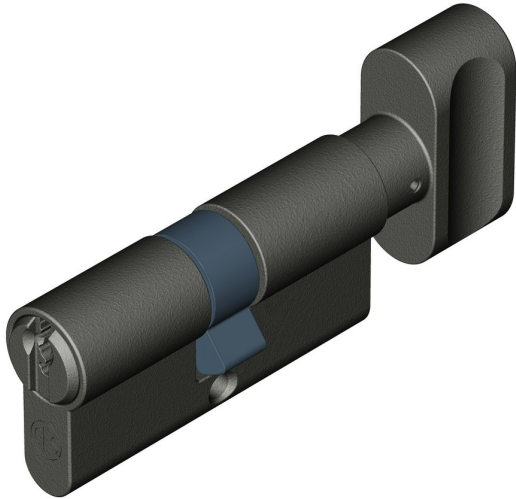
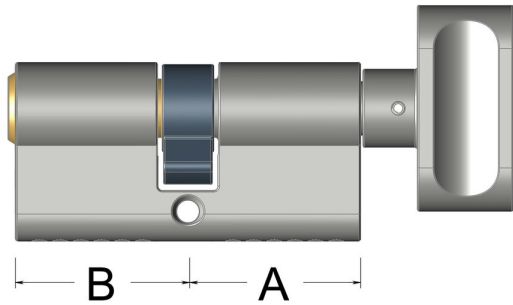


Euro profile cylinder & turn



Product image



Dimensions drawing (DIM)

Reference

FCY021 C680

Material

Brass

Finish

LC680 dusk grey

Description

6 pin Franchi unique key section
 Available master keyed, to pass, or standard differ
 3,5mm increased thickness nickel silver keys
 Optional register security card
 Tested to EN 1303 : 2005
 Compatible with other Franchi cylinder shapes