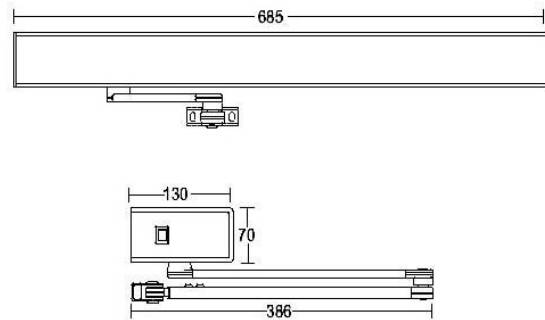


Heavy duty auto door operator - Push Arm



Product image



Dimensions drawing (DIM)

Reference

FAD051 P RAL

Finish

RAL

Material

Aluminium

Drive arm type

Push arm

Description

Heavy duty silent operation door operator

Push to open with standard arm set

Maximum door weight 270kg

Maximum door width 1219mm

Configurable to fully automatic, power assisted and low energy

Certifire CF844 for ITT/120 minute timber and MM/IMM/240 minute steel doors subject to limitations as described in the Certifire document

Reverts to a manual door closer in the event of power loss